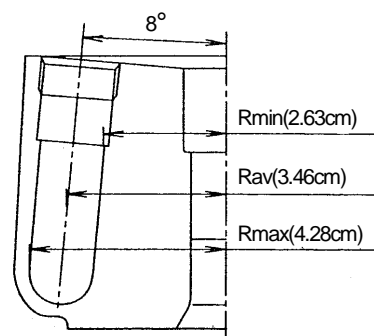


Carefully read the centrifuge instruction manual and the rotor instruction manual before using the rotor.

S100NT Neo-angle rotor

Max. speed	100,000 rpm
Max. R.C.F.	479,000 × g
Rotor nominal capacity	32.0mL=8 × 4.0mL
k factor	12



(1) Summary of tubes

Tube				Space cap or Crown		Maximum speed (rpm)	Maximum R.C.F. (× g)
Part No.	Name	Size (φ × L cm)	Net capacity (mL)	Part No.	Name		
S303694A	4 PA Seal tube	1.3×3.8	3.7	488101	Space cap (B2)	100,000	479,000
(3400-1332)	(3.5ml Ultra-Lok™ tube)	1.3×3.2	3.0	S408785A	UL Cap Ass'y	100,000	479,000

Products in parentheses are those of the supply discontinuance.

(2) Standard accessories

Part No.	Name	Q'ty
S303694A	4 PA Seal tube	2 (50pcs/box)
488101	Space cap (B2)	8
488100	Cap packing	16
S407157	Tube setter	1
S401062A	Handle	1
Common accessories of all rotors (see Appendix)		1

NOTE : When using Seal tubes, the following optional accessories are required.

- 4PA Seal tube
 - (a) 901325 STF3 Tube sealer 1
 - (b) S201778H Tube rack (B3)..... 1

(3) Separation characteristics table

Speed (rpm)	Max. R.C.F.(×g)			k factor
	Rmin (2.63cm)	Rav (3.46cm)	Rmax (4.28cm)	
10,000	2,940	3,870	4,790	1,234
20,000	11,800	15,500	19,100	308
30,000	26,500	34,800	43,100	137
40,000	47,000	61,900	76,600	77
50,000	73,500	96,700	120,000	49
60,000	106,000	139,000	172,000	34
70,000	144,000	190,000	234,000	25
80,000	188,000	248,000	306,000	19
90,000	238,000	313,000	388,000	15
100,000	294,000	387,000	479,000	12