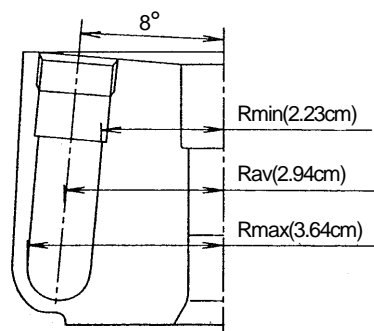


Carefully read the centrifuge instruction manual and the rotor instruction manual before using the rotor.

### S120NT Neo-angle rotor

Max. speed 120,000 rpm  
 Max. R.C.F. 586,000 × g  
 Rotor nominal capacity 16.0mL=8 × 2.0mL  
 k factor 9



#### (1) Summary of tubes

Tube				Space cap or Crown		Maximum speed (rpm)	Maximum R.C.F. (× g)
Part No.	Name	Size (φ × L cm)	Net capacity (mL)	Part No.	Name		
S300540A	2 PA Seal tube	1.1×3.1	1.8	S406695	Space cap (A2)	120,000	586,000

#### (2) Standard accessories

Part No.	Name	Q'ty
S300540A	2 PA Seal tube	2 (50pcs/box)
S406695	Space cap (A2)	8
S402985	O-ring	16
S407157	Tube setter	1
S406341A	Handle C	1
Common accessories of all rotors (see Appendix)		1

NOTE : When using Seal tubes, the following optional accessories are required.

- 2 PA Seal tube
  - (a) 901325 STF3 Tube sealer..... 1
  - (b) S201778F Tube rack (G)..... 1

#### (3) Separation characteristics table

Speed (rpm)	Max. R.C.F.(×g)			k factor
	Rmin (2.23cm)	Rav (2.94cm)	Rmax (3.64cm)	
10,000	2,490	3,290	4,070	1,241
20,000	9,970	13,100	16,300	310
30,000	22,400	29,600	36,600	138
40,000	39,900	52,600	65,100	78
50,000	62,300	82,200	102,000	50
60,000	89,800	118,000	147,000	34
70,000	122,000	161,000	199,000	25
80,000	160,000	210,000	260,000	19
90,000	202,000	266,000	330,000	15
100,000	249,000	329,000	407,000	12
110,000	302,000	398,000	492,000	10
120,000	359,000	473,000	586,000	9