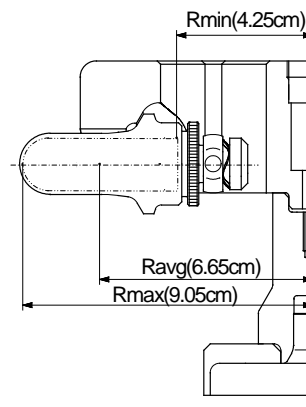


Carefully read the centrifuge instruction manual and the rotor instruction manual before using the rotor.

S50ST Swing rotor (Exclusive for CS150NX and CS-FNX/CS-GX II /CS-GXL series)

Max. speed 50,000 rpm
 Max. R.C.F. 253,000 × g
 Rotor nominal capacity 28mL=7.0mL× 4
 k factor 77



(1) Summary of tubes

Tube				Adapter		Maximum speed (rpm)	Maximum R.C.F. (× g)
Part No.	Name	Size (φ × L cm)	Net capacity (mL)	Part No.	Name		
S309146A	7 PA Tube (B)	1.6×5.2	7.0	-----	-----	50,000	253,000
S309167A	7 PC Tube (B)	1.6×5.2	7.0	-----	-----	50,000	253,000
S309168A	7 PET Tube	1.6×5.2	7.0	-----	-----	50,000	253,000

(2) Standard accessories

Part No.	Name	Q'ty
S309146A	7 PA Tube (B)	1 (50pcs/box)
8062220	O-ring	8
S305486B	Basket stand	1
452701	Tweezers	1
Common accessories of all rotors (see Appendix)		1

(3) Centrifugal characteristics table

Speed (rpm)	Centrifugal acceleration (×g)			k factor
	Rmin (4.25cm)	Ravg (6.65cm)	Rmax (9.05cm)	
5,000	1,190	1,860	2,530	7,658
10,000	4,750	7,430	10,100	1,915
15,000	10,700	16,700	22,800	851
20,000	19,000	29,700	40,500	479
25,000	29,700	46,500	63,200	306
30,000	42,800	66,900	91,100	213
35,000	58,200	91,100	124,000	156
40,000	76,000	119,000	162,000	120
45,000	96,200	151,000	205,000	95
50,000	119,000	186,000	253,000	77